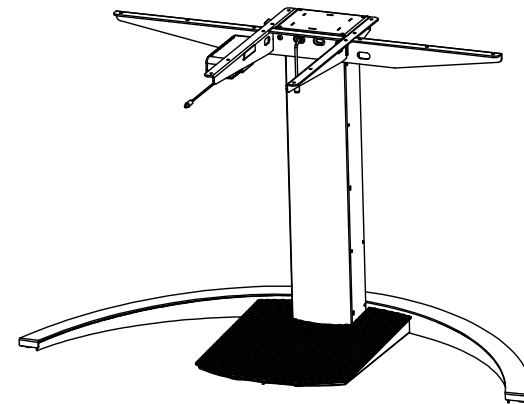
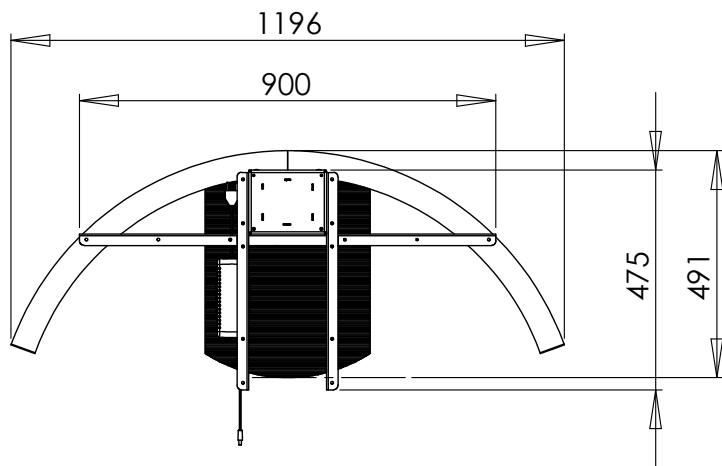
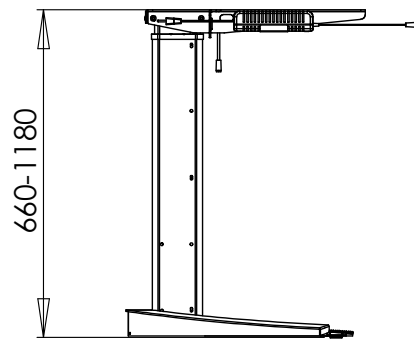
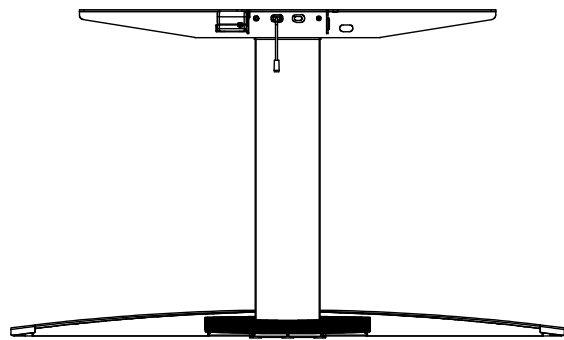


# 501 – 19 ширина 120 см. Полумесяц.

THE INFORMATION CONTAINED IN THIS DRAWING IS THE SOLE PROPERTY OF CONSET A/S ANY REPRODUCTION IN PART OR WHOLE WITHOUT THE WRITTEN PERMISSION OF CONSET A/S IS PROHIBITED.



UNLESS OTHERWISE SPECIFIED  
DIMENSIONS ARE IN MM  
TOLERANCES ARE:  
According to DIN 7168-m



MATERIAL

FINISH

DO NOT SCALE DRAWING

MATERIAL SPECIFICATION:

---

PROCES SPECIFICATION:

---

---

DRAWN JO CHECKED GL DATE 070206

ConSet A/S Staalvej 14-16  
6900 Skjern  
Denmark

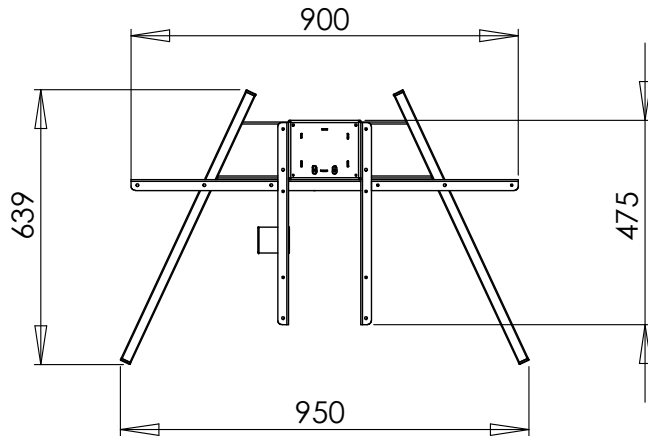
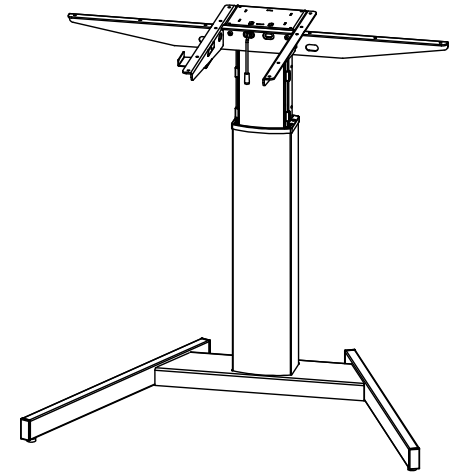
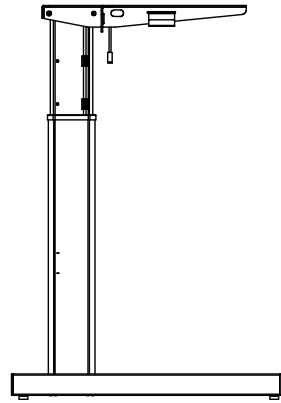
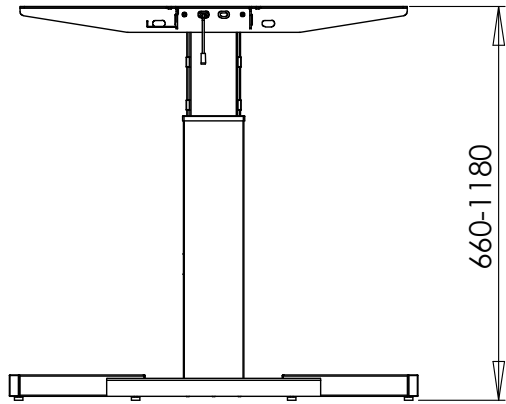
501-19, 120cm


108510

REV.  
0

# 501 – 19 ширина 95 см. Виктория ( V ).

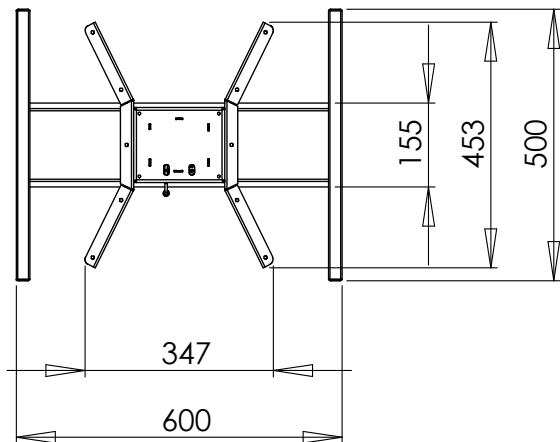
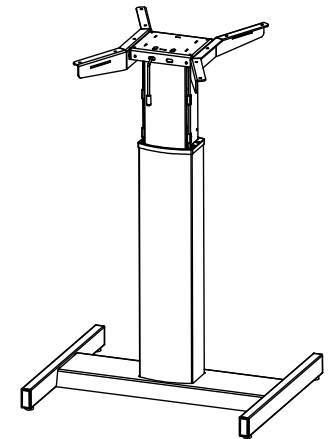
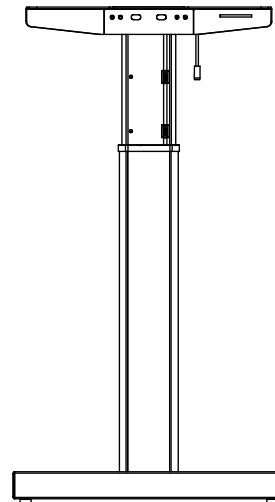
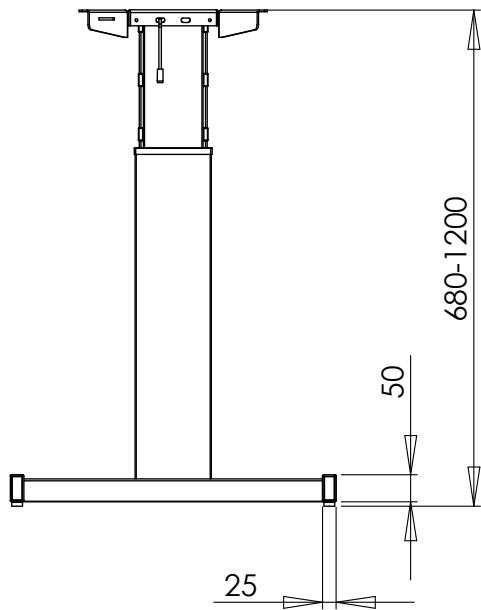
THE INFORMATION CONTAINED IN THIS DRAWING IS THE SOLE PROPERTY OF CONSET A/S ANY REPRODUCTION IN PART OR WHOLE WITHOUT THE WRITTEN PERMISSION OF CONSET A/S IS PROHIBITED.




UNLESS OTHERWISE SPECIFIED DIMENSIONS ARE IN MM TOLERANCES ARE: According to DIN 7168-m	MATERIAL SPECIFICATION:	ConSet A/S <small>Staalvej 14-16 6900 Skjern Denmark</small>
	---	
 MATERIAL FINISH	PROCES SPECIFICATION:	501-19 XX095
	---	
DO NOT SCALE DRAWING	DRAWN JO	CHECKED GL
	DATE 080207	REV. 0

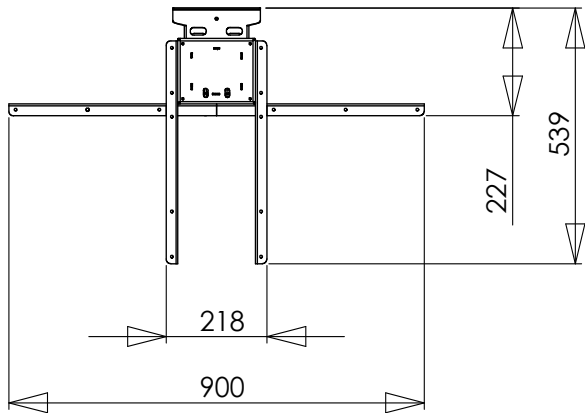
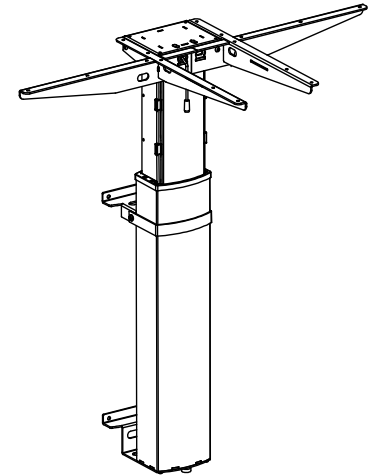
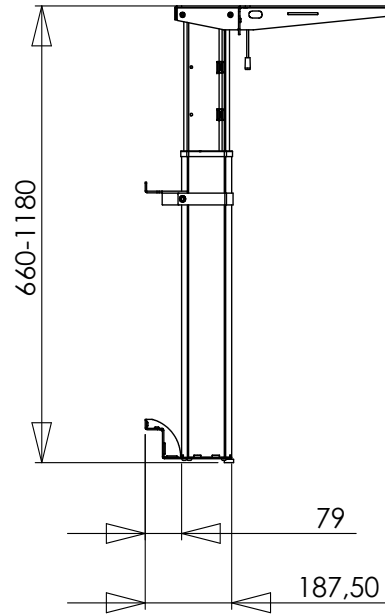
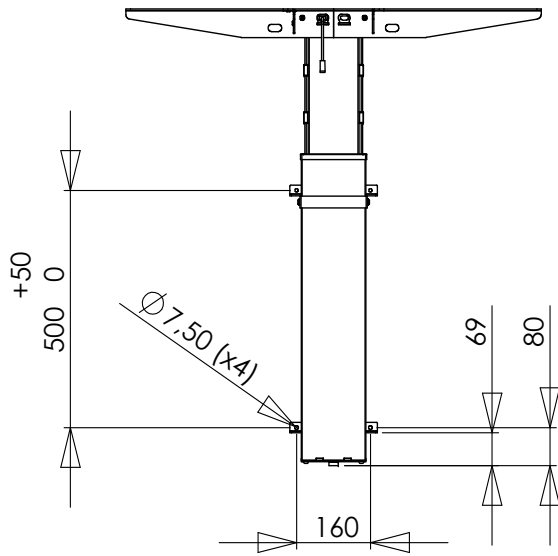
111260

# 501 – 19 ширина 60 см. Фома - Н.



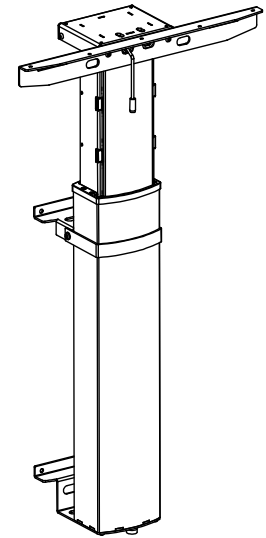
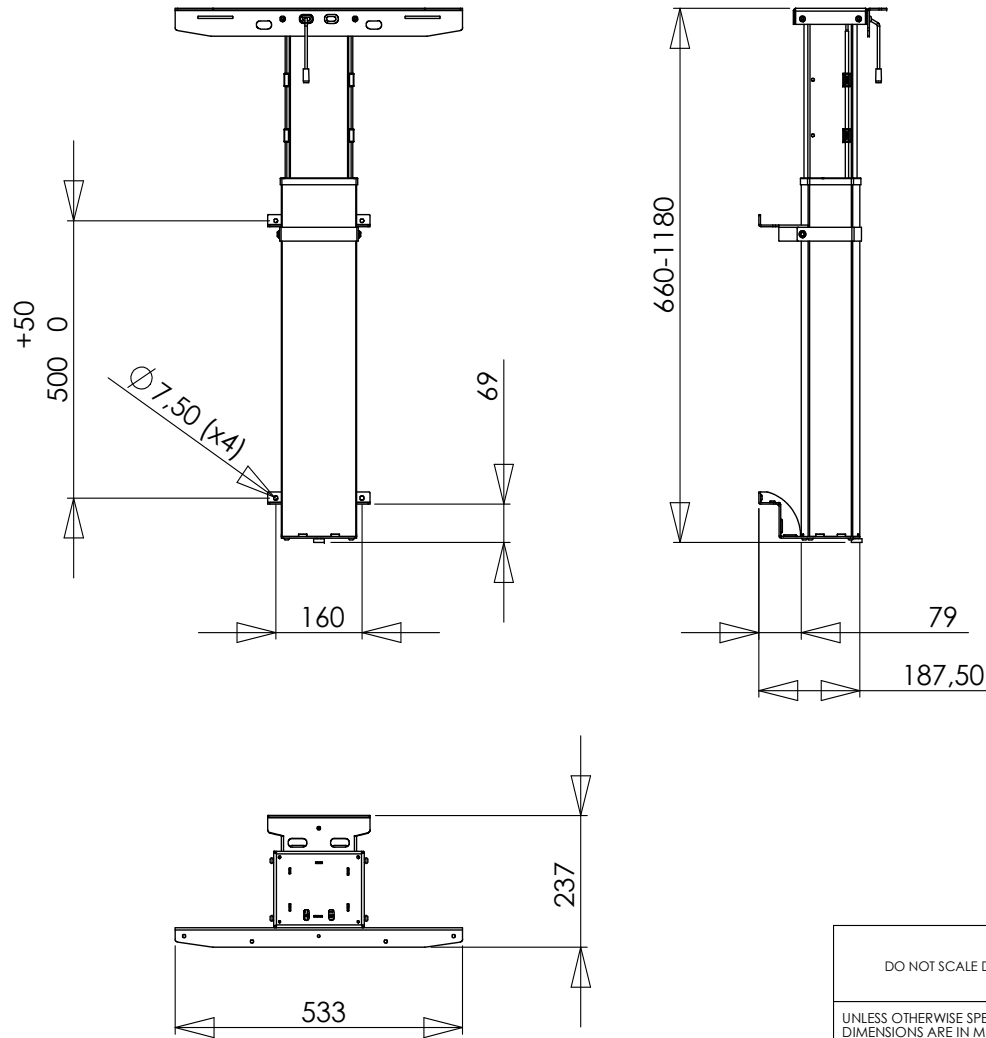
DO NOT SCALE DRAWING	SHEET 1 OF 1			<b>ConSet A/S</b> Staalvej 14-16 DK-6900 Skjern Denmark <a href="http://www.conset.com">www.conset.com</a>	
UNLESS OTHERWISE SPECIFIED: DIMENSIONS ARE IN MILLIMETERS TOLERANCES: LINEAR: According to ANGULAR: DIN 7168-m	DRAWN	NAME	DATE	TITLE:	
	CHECKED	jo	10-07-2008		
<b>PROPRIETARY AND CONFIDENTIAL</b> THE INFORMATION CONTAINED IN THIS DRAWING IS THE SOLE PROPERTY OF CONSET A/S. ANY REPRODUCTION IN PART OR AS A WHOLE WITHOUT THE WRITTEN PERMISSION OF CONSET A/S IS PROHIBITED.	Processes:			DWG. NO. <b>114520</b>	
	assembly				
WEIGHT:			0		

# 501 – 19 ширина 90 см. Настенная.



DO NOT SCALE DRAWING	SHEET 1 OF 9			<b>ConSet A/S</b> Staalvej 14-16 DK-6900 Skjern Denmark
UNLESS OTHERWISE SPECIFIED: DIMENSIONS ARE IN MILLIMETERS TOLERANCES: LINEAR: According to ANGULAR: DIN 7168-m	DRAWN	NAME jo	DATE 28-10-09	TITLE:  501-19 Wall mounted
	CHECKED			DWG NO. <b>110610</b>
<b>PROPRIETARY AND CONFIDENTIAL</b> THE INFORMATION CONTAINED IN THIS DRAWING IS THE SOLE PROPERTY OF CONSET A/S. ANY REPRODUCTION IN PART OR AS A WHOLE WITHOUT THE WRITTEN PERMISSION OF CONSET A/S IS PROHIBITED.	Processes: assembly			REVISION <b>3</b>
	WEIGHT:			

# 501 – 19 ширина 533 мм. Настенная.



DO NOT SCALE DRAWING		SHEET 9 OF 9				<b>ConSet A/S</b> Staalvej 14-16 DK-6900 Skjern Denmark	
UNLESS OTHERWISE SPECIFIED: DIMENSIONS ARE IN MILLIMETERS TOLERANCES: LINEAR: According to ANGULAR: DIN 7168-m		NAME	DATE	TITLE:			
		DRAWN	28-10-09				
<b>PROPRIETARY AND CONFIDENTIAL</b> THE INFORMATION CONTAINED IN THIS DRAWING IS THE SOLE PROPERTY OF CONSET A/S. ANY REPRODUCTION IN PART OR AS A WHOLE WITHOUT THE WRITTEN PERMISSION OF CONSET A/S IS PROHIBITED.		CHECKED		501-19 Wall mounted			
		Processes: assembly					
WEIGHT:				DWG. NO.		REVISION	
				110610		3	