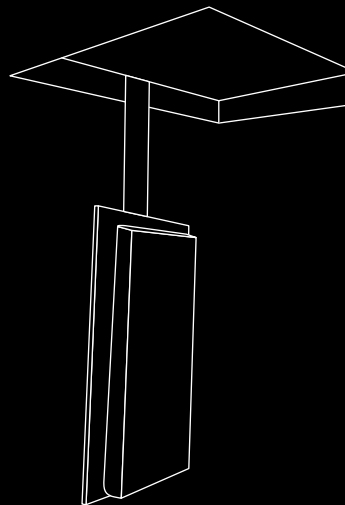
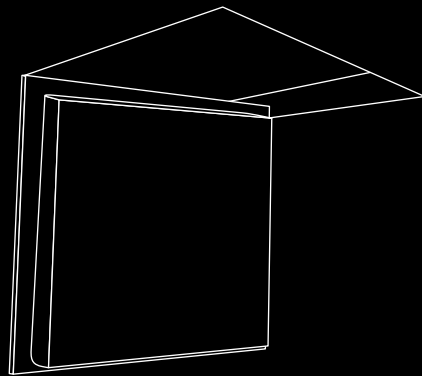
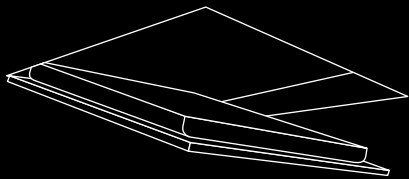
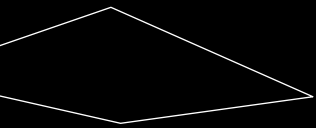


MAJOR Flip[®]

holding your emotions



Free your emotions.

To view or not to view. It's up to you.

We all love the TV. Especially when it does not overwhelm our interior décor. We love the emotions it arouses in us, but sometimes it can get in the way. Now, thanks to MajorFlip®, the TV ceiling lift, we can make it vanish. Dearest TV, now you can give us so much emotion, without getting in the way.





More space for emotions, less for the TV.

With MajorFlip® you no longer have to sit the TV on a cabinet. So you have more space available. Whether you install it at home or in a public place. The TV disappears when it is not needed and reappears to thrill us when required. At the push of a button the TV appears from the ceiling, flips down and is lowered to the required height and best viewing position. And, if you want it to, it can also swivel. So, wherever you are, you are guaranteed an all-round 360° experience. And the dramatic effect is amazing.





No TV, no hassle.

The MaiorFlip® System has been designed to take the stress out of your life. Starting with the TV cables. They are concealed inside the system.

When the TV disappears into the ceiling, children can run around freely without worrying about tripping up or banging into anything.

And you no longer have to move furniture about when cleaning that part of the house or public space. With MaiorFlip® life is that much easier.

One look and you can tell it is Italian.

MaiorFlip® is beautiful. Undeniably elegant. Its lines are sophisticated and flowing. Lovingly designed by an internationally acclaimed Italian designer.

The designer is Gurioli industriart, and its works are exhibited at the MOMA New York, the Denver Art Museum and the Stedelijk Museum in Amsterdam. And now in your home.

Gurioli
industriart





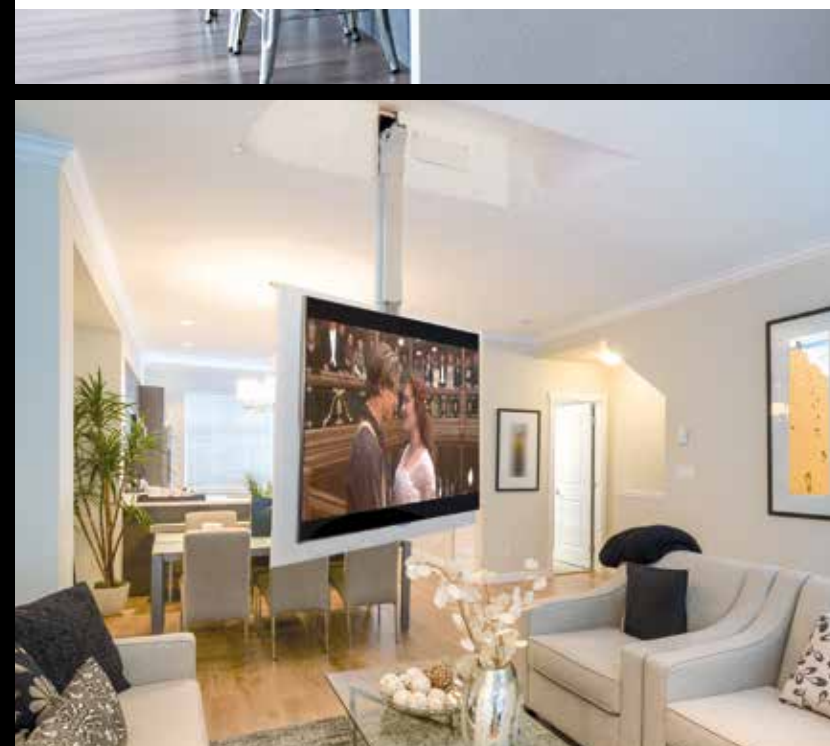
Screen flush with the ceiling



Flip out TV lift



Screen descends vertically up to 68 cm



Screen rotates 360°

Plus, it is intelligent.

MaioFlip® is genius. It ticks all the boxes as far as elegance, user-friendliness and practicality are concerned. A real genius, and it's all yours.



With an electronic Soft Start and Soft Stop control unit to ensure smooth operation



With high quality parts to prevent squeaky or worrying noises



With remote control or wall-mounted buttons



With the possibility of integrating it into your existing home automation system

MAIOR Flip® 900R



MAIOR Flip® 900R

Unbeatable functions.

When MaiorFlip® 900R is closed, the TV is hidden from view. Because the back of MaiorFlip® is fitted with a panel that is an identical match to the existing ceiling. So the ceiling closes smoothly over the TV. The TV disappears, making room for your stylish interior.



Concealed screen flush
with panelled ceiling



Flips down from 0 to 90°



Screen descends vertically
up to 68 cm



Screen rotates 360°



Soft Start and Soft Stop
electronic control unit to ensure
worry-free operation



Smooth, silent movement



Remote control with 2 channels
for opening and closing,
raising and lowering



MaiorFlip® 900R
interacts with existing home
automation systems

MAIOR Flip® 900



MAIOR Flip® 900

Give your room that extra style.

MaioFlip® 900 fits snugly into the ceiling cavity while remaining perfectly aligned with the ceiling, so everyone can appreciate the aesthetics of the screen. When closed, MaioFlip® 900 shows off its most stylish side.



Screen flush with ceiling
and monitor visible



Flips down from 0 to 90°



Screen descends vertically
up to 68 cm



Screen rotates 360°



Soft Start and Soft Stop
electronic control unit to ensure
worry-free operation



Smooth, silent movement



Remote control with 2 channels
for opening and closing,
raising and lowering



MaioFlip® 900
interacts with existing home
automation systems

MAIOR Flip® 100



MAIOR Flip® 100

Up to 100° for a top viewing experience.

MaioFlip® 100 opens and flips down from 0 to 100°. Unlike the 900 series, it does not descend vertically. But offers a 10° greater viewing angle. A panel is fitted behind the screen, concealing the TV in the ceiling.



Concealed screen flush
with panelled ceiling



Flips down from 0 to 100°



Soft Start and Soft Stop
electronic control unit to ensure
worry-free operation



Smooth, silent movement



Remote control to open
and close



MaioFlip® 100
interacts with existing home
automation systems

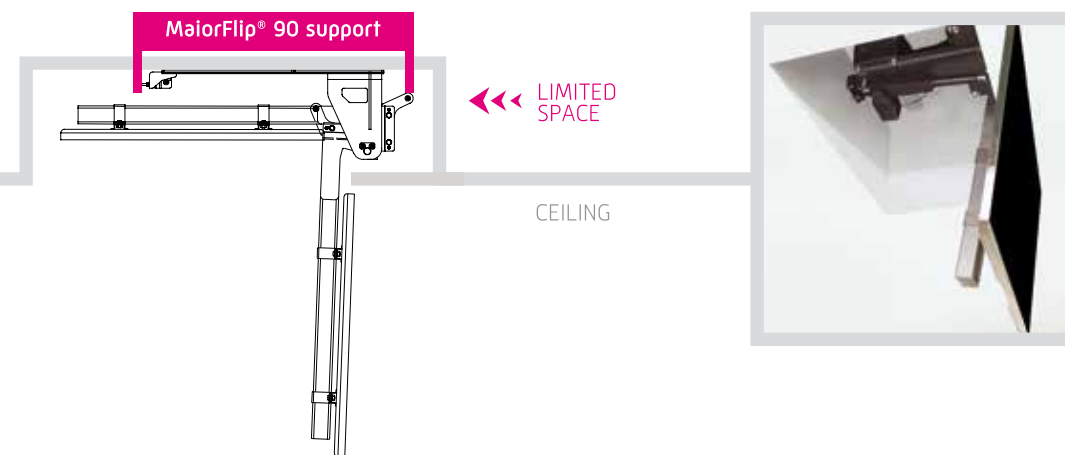
MAIOR Flip® 90



MAIOR Flip® 90

Elegant, but practical too.

MaioFlip® 90 is a master of what it does. It flips down up to 85° in limited ceiling space and is extremely easy to install. MaioFlip® 90 uses a different design concept to support the moving mount, so it can fit into the narrowest of spaces. And the TV remains perfectly aligned with the ceiling. Focussing attention on the stylish screen.



Screen flush with ceiling
and monitor visible



Flips down from 0 to 85°



Soft Start and Soft Stop
electronic control unit to ensure
worry-free operation



Smooth, silent movement



Remote control to open
and close



MaioFlip® 90
interacts with existing home
automation systems

MAIOR Flip® 85



MAIOR Flip® 85

Discreet and stylish.

With MaiorFlip® 85 the TV is flush with the ceiling and the screen remains visible, making it a stylish design object. Just press the button and it flips down up to 85°. Press again and it slips back into the ceiling. Simple and elegant. Its discreet design blends in seamlessly with any sophisticated setting.



Screen flush with ceiling
and monitor visible



Flips down from 0 to 85°



Soft Start and Soft Stop
electronic control unit to ensure
worry-free operation



Smooth, silent movement



Remote control to open
and close



MaiorFlip® 85
interacts with existing home
automation systems

MAJOR[®]
holding your
emotions

Italy - 48018 Faenza RA - via Proventa, 120/1
tel. +39 0546 64 68 21 - www.maioirmover.it



LELLI[ASSOCIATI].IT

This product complies with standards

