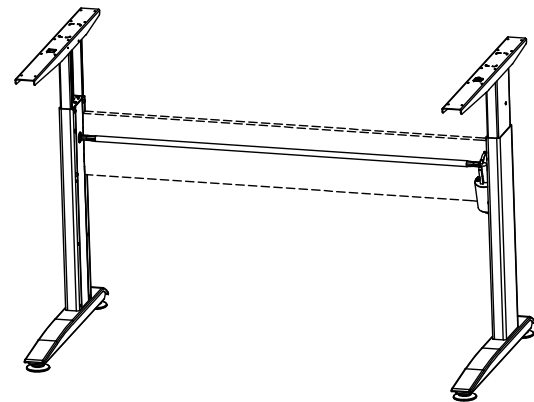
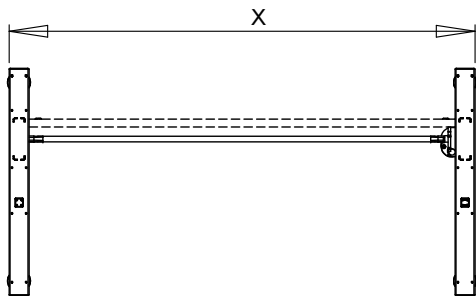
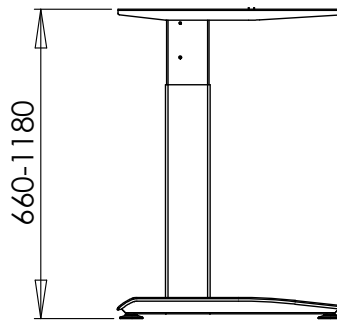
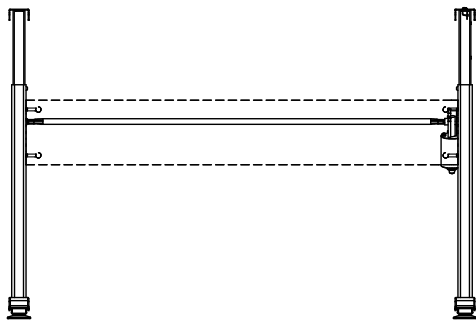

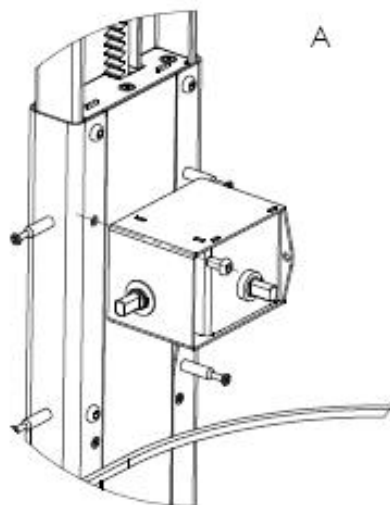
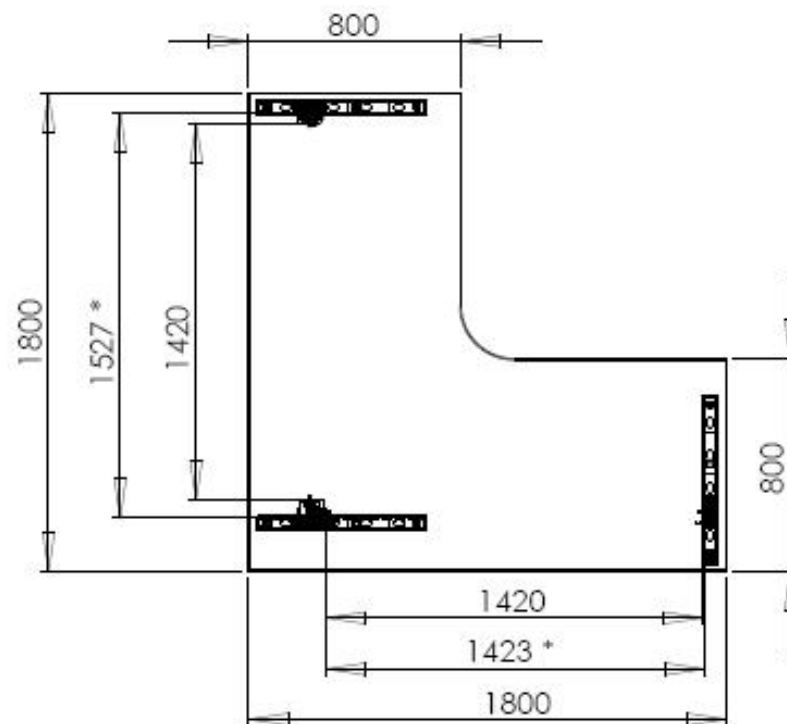
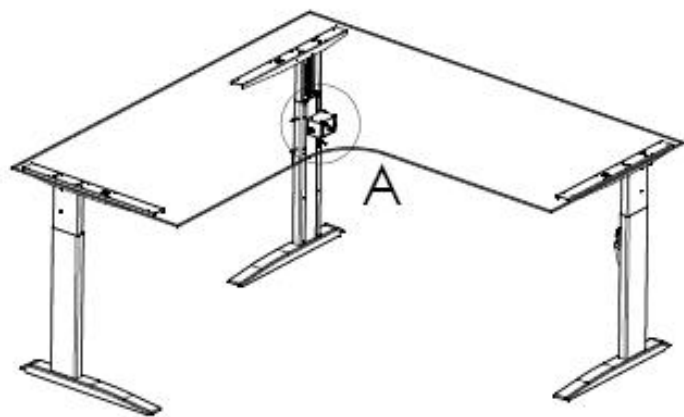


501 – 15. 2 опоры.

THE INFORMATION CONTAINED IN THIS DRAWING IS THE SOLE PROPERTY OF CONSET A/S ANY REPRODUCTION IN PART OR WHOLE WITHOUT THE WRITTEN PERMISSION OF CONSET A/S IS PROHIBITED.



UNLESS OTHERWISE SPECIFIED DIMENSIONS ARE IN MM TOLERANCES ARE: According to DIN 7168-m		MATERIAL SPECIFICATION: ---		ConSet A/S <small>Staalvej 14-16 6900 Skjern Denmark</small>
		PROCES SPECIFICATION: ---		
MATERIAL		---		501-15
FINISH		---		
DO NOT SCALE DRAWING		DRAWN JO	CHECKED GL	DATE 06/11/05
			106820	REV. 0



* Пример для расчета цррги стола
размером 1800/1800 мм.