

Operating manual

Electrical Sit & Stand desk

1 - column frame

2 - column frame

3 - column frame



Read the operating manual carefully before operating the product and retain for reference purposes.

1. IMPORTANT SAFETY INSTRUCTIONS
2. MAXIMUM WIDESPREAD LOAD
3. PRODUCT LABEL
4. MAINTENANCE INFORMATION
5. GETTING STARTED
6. DECLARATION OF CONFORMITY
7. FAULT FINDING

Contact information regarding:
Manufacturer, retailer, phone number:
see product labels on the frame.

Read all instructions before using

DANGER.

1. IMPORTANT SAFETY INSTRUCTIONS

This furnishing has been investigated and found suitable for public occupancies and household use.

When using an electrical furnishing, basic precautions should always be followed, including the following:

WARNING—To reduce the risk of burns, fire, electric shock, or injury to persons:

1. Always unplug this product from the electrical outlet before cleaning.
2. Unplug from outlet before putting on or taking off parts.
3. Close supervision is necessary when this product is used/operated by, or near children, invalids or disabled persons.
4. Use this product only for its intended use as described in these instructions. Do not use attachments not recommended by the manufacturer.
5. Never operate this product if it has a damaged cord or plug, if it is not working properly.
6. Keep the cord away from heated surfaces.
7. Never drop or insert any object into any opening.
8. Do not use outdoors.
9. To disconnect, remove plug from outlet.

WARNING:

No one should under no circumstances be underneath the table top whilst the product is being operated (connected to power). If the product has to be serviced/repared, the power cord must be disconnected from the power outlet before anyone is allowed to be underneath the table top.

2. MAXIMUM WIDESPREAD LOAD

Note! The below figures are with the table top included.

- 1 Column frame 60Kg
- 2 Column frame 120Kg
- 3 Column frame 140Kg

Built in overload protection

This product has a built in overload protection. The reason for this is to prevent mechanical parts from being damaged - if activated - the height of the frame is adjusted 25mm in the opposite direction.

Built in temperature and duty cycle protection

Duty cycle, max: 1min / 9min

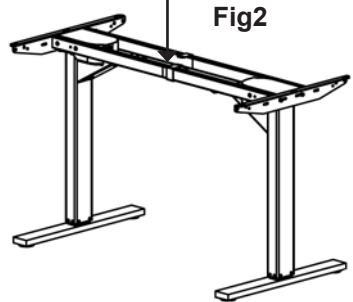
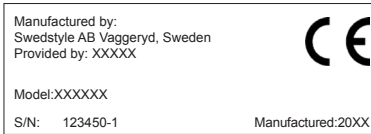
The built in protection can be initiated. If used with higher frequency - wait a short while and try again.

3. PRODUCT LABEL

The product label Fig1 is located on the frame, see Fig2.

Fig1

CE label with S/N



4. MAINTENANCE INFORMATION

Maintenance: The desk, with its integral electronic components is designed to be completely maintenance free. There is no need for any intermittent lubrication, adjustment or any subsequent maintenance for the lifetime of the desk. Interfering with the electronics, motor, transformer or frame will make the warranty to become invalid.

Caution!

Position electrical cords in such a way that they not can be damaged while the product either is in use or not in use.

Cleaning

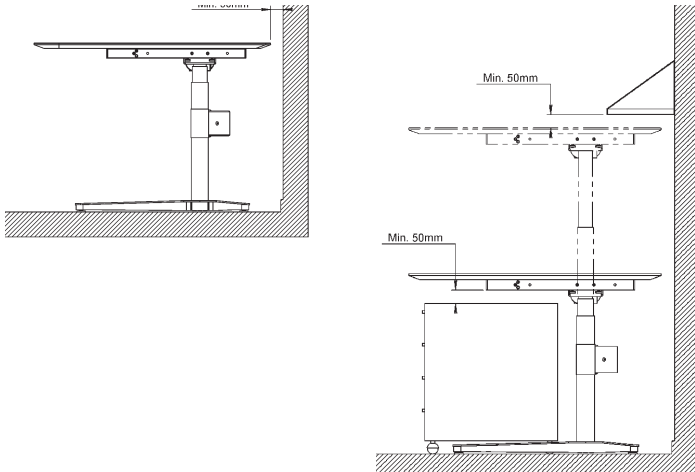
Cleaning of this product should only be carried out with means of a dry cloth.

5. GETTING STARTED


Read the following instructions carefully. The user should be fully aware and conversant in the operation, function and use of the desks. Each user should be compliant with the safety regulations concerned with the operation, function and use of the desks.

CAUTION

- Ensure there are no obstructions to the movement of the furnishing. All cable management should be sufficient to allow manoeuvrability of the frame through its entire working range.
- Upon successful assembly of the desk, position the desk in its final location and level the top using the levelling foot screws on each leg.
- Always ensure that no obstructions have been placed under, above or adjacent to the furnishing.
- A clearance of 50mm surrounding the furnishing is recommended .
- Upon successful assembling of the desk, it is vital that the desk is reset manually before use. See below:



Reset procedure

Lower the frame to its lowest position by pressing the down arrow  on the hand control. Release the button. Press the button again and keep it pressed for 10seconds.

Note!

If any of the motor cables have been disconnected while the product is connected to power, the reset procedure must be carried out.

6. DECLARATION OF CONFORMITY



DECLARATION OF CONFORMITY

SWEDSTYLE

SWEDSTYLE AB
Box 171
SE 567 24 Vaggeryd

Herewith declares that SWEDSTYLE AB height adjustable table

2-3 legtable 2D/3D Aero / 394 / 395
2-3 legtable 2D/3D Space / Delta / Connect-EI 376/378/387/381
2-3 legtable 2D/3D Classic / 383
2-3 legtable 2D/3D Quadro/379

Complies with European Directive 2006/42/EC according to the standard:
EN 527-1
EN 527-2
EN 527-3


and complies with Low Voltage Directive 2006/95/EC according to the standard:
EN 60335-1:2002, +A1,A1/C1,A2,A11,A12,A13, EN 50366:2003, +A1

and complies with EMC Directive 2004/108/EC according to the standard:
Emission EN61000-6-3:2007, EN61000-3-2:2006, EN61000-3-3:1995+A1,A2
Immunity EN61000-6-2: 2005, EN61000-4-2,-3-4-5-6-8-11

Test Institute:
SP (Swedish test and research institute) Sweden
Dectron Sweden

Vaggeryd 2010-10-04


SWEDSTYLE AB


Peter Jahnsén
Vice President

SWEDSTYLE AB Box 171 SE-567 24 Vaggeryd Sweden	Tel. +46 393 363 60 Fax +46 393 124 20 info@swedstyle.se www.swedstyle.se
---	---

7. FAULT FINDING

If you should experience any difficulty with this product, please carry out the following initial tests before contacting your local service partner/retailer:

- 1 Ensure the power source to the desk is functioning properly. Try connecting the desk to an alternate power source.
- 2 Ensure all plugs, leads and connectors between the motor, transformer and hand control are properly connected.
- 3 Ensure there are no obstructions or damages to any of the cords.
- 4 Ensure that the product not is overloaded, and that the load is evenly spread.
- 5 If any of the motor cables have been disconnected while the product is connected to power, the reset procedure must be carried out. See point 6 below.
- 6 Lower the frame to its lowest position by pressing the down arrow  on the hand control. Release the button. Press the button again and keep it pressed for 10seconds.
- 7 If the problem remains – contact your local retailer. Please note the serial number of the product. This number is to be found on the product label wich is located on the frame. See page 3 Fig1 in this document.

SWEDSTYLE AB
Box 171
SE-567 24 Vaggeryd
Sweden

Tel. +46 393 363 60
Fax +46 393 124 20
information@swedstyle.se
www.swedstyle.se