

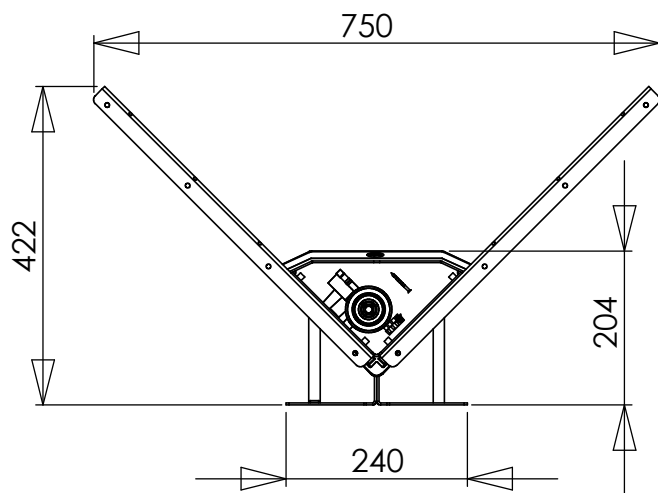
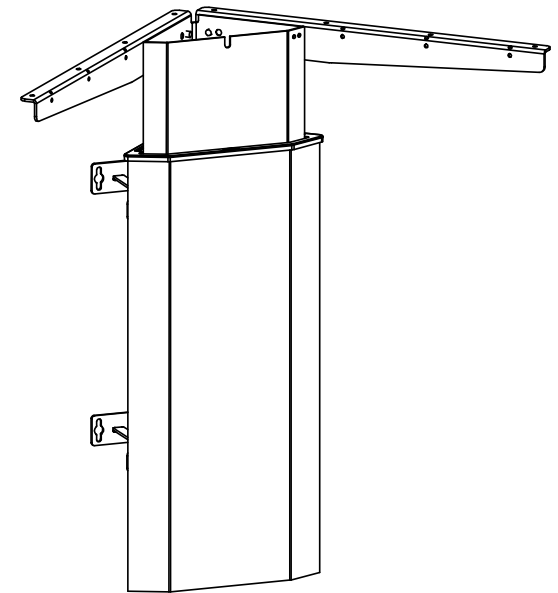
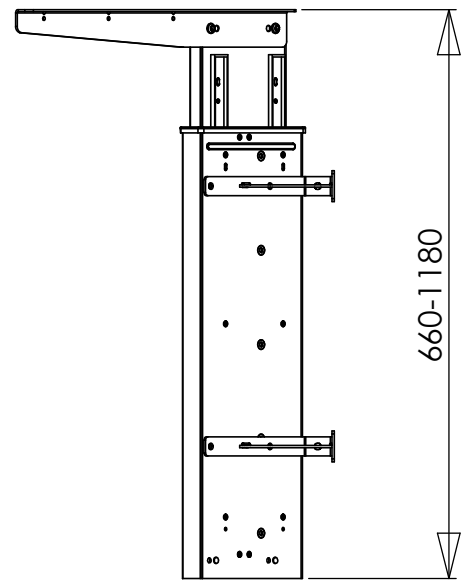
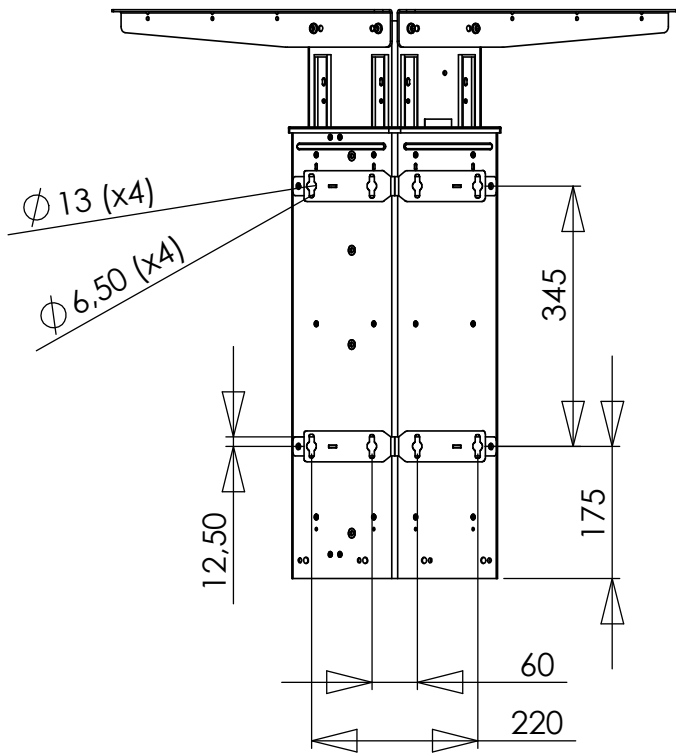
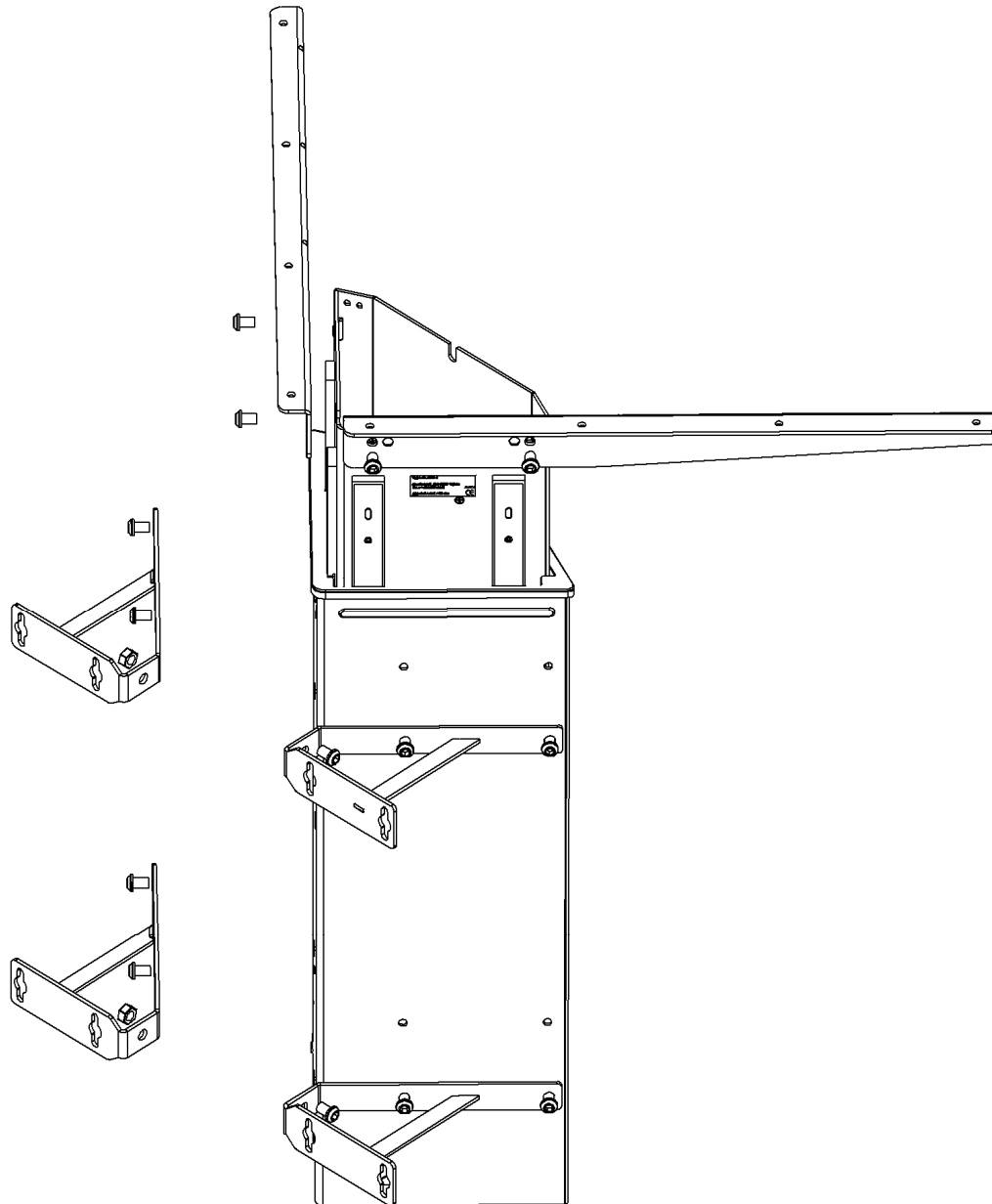


UNLESS OTHERWISE SPECIFIED DIMENSIONS ARE IN MM TOLERANCES ARE: According to DIN 7168-m	MATERIAL SPECIFICATION:	ConSet A/S		Staalvej 14-16 6900 Skjern Denmark
	---	501-7 XX		
 MATERIAL	PROCES SPECIFICATION:			
 FINISH	---			
DO NOT SCALE DRAWING	DRAWN JO	CHECKED GL	DATE 060328	

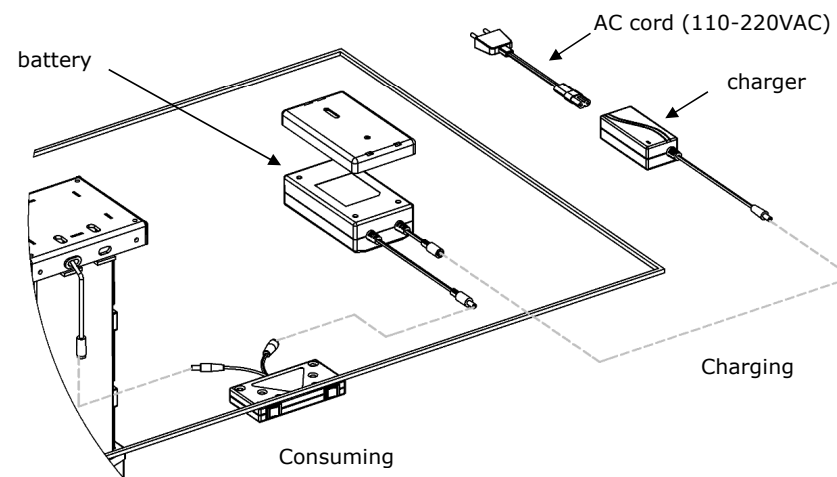
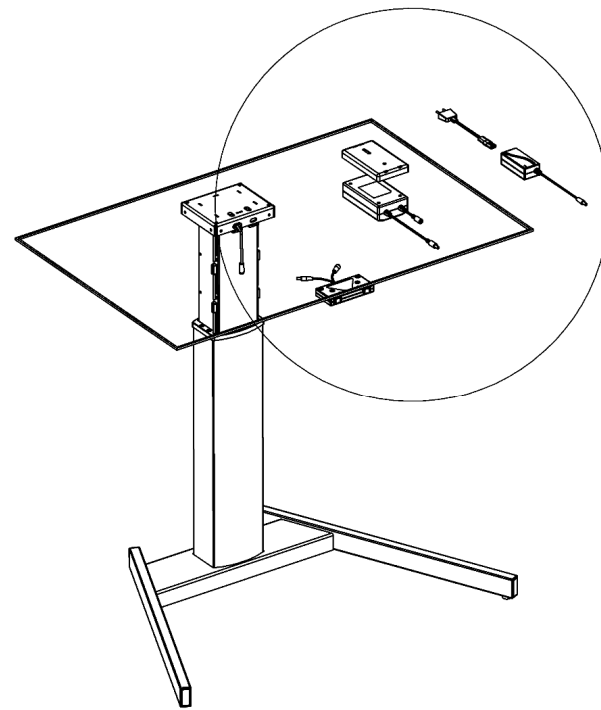


UNLESS OTHERWISE SPECIFIED DIMENSIONS ARE IN MM TOLERANCES ARE: According to DIN 7168-m	MATERIAL SPECIFICATION: ---			ConSet A/S Staalvej 14-16 6900 Skjern Denmark	
	PROCES SPECIFICATION: ---				
MATERIAL	---			501-7 wall-hanged	
FINISH	---				
DO NOT SCALE DRAWING	DRAWN JO	CHECKED GL	DATE 080521	110590	REV. 0

Mounting instruction, WB007 / 501-7 WS



Mounting instruction, Battery Pack



- Do not use other chargers / power supplies than the one supplied in this Battery Pack when charging the battery
- LED light in battery is not connected (always off)
- LED light in charger will turn from red to green when battery is fully charged
- AC cord is not included in the Battery Pack
- Charge the battery at least 1 time every month to optimize lifetime of battery