



DESKLIFT™ DL14
Data sheet

DL14

The DESKLINE® column DL14 sets the standards for inline columns. The compact round shaped column fulfils the market requirements for a low built-in dimension and at the same time a long stroke length. The DL14 is designed for desks without a crossbar ensuring more leg space and more design possibilities. As standard, the DL14 features PIEZO™ an integrated sensor minimising the risk for damages on a desk caused by squeezing or blocking of obstacles in up or down direction. The DL14 is developed without PVC, which is an environmental advantage. The column comes standard in black, silver-grey, white or simply in a customised colour (optional).

The DL14 is compatible with DESKLINE® control boxes and controls – Just Plug & Play™.



Features:

- Thrust up to 700 N per column
- Speed level up to 38 mm/s
- Standard installation dimension: 525 mm
- Standard stroke length: 660 mm
- Colour: all parts black (RAL 9005), all parts grey (RAL 9006) or all parts white (RAL 9016)
- Low noise level
- Synchronous drive of the middle profile
- Separate motor cable (black: 200 mm, 500 mm, 1000 mm, 2000 mm or 2500 mm)
- Dimensions column: \varnothing 70 (outer profile), \varnothing 63.5 (middle profile) and \varnothing 57 (inner profile)
- The DL14 profiles are secured against rotation/twisting
- Bending moment: $M_y = \max. 150 \text{ Nm}$ dynamic
- 2 x Hall sensor (enables parallel drive)
- PIEZO™ minimising the risk for damages on the desk

Options:

- Customised colours
- Bracket for crossbar (customised version)

Usage:

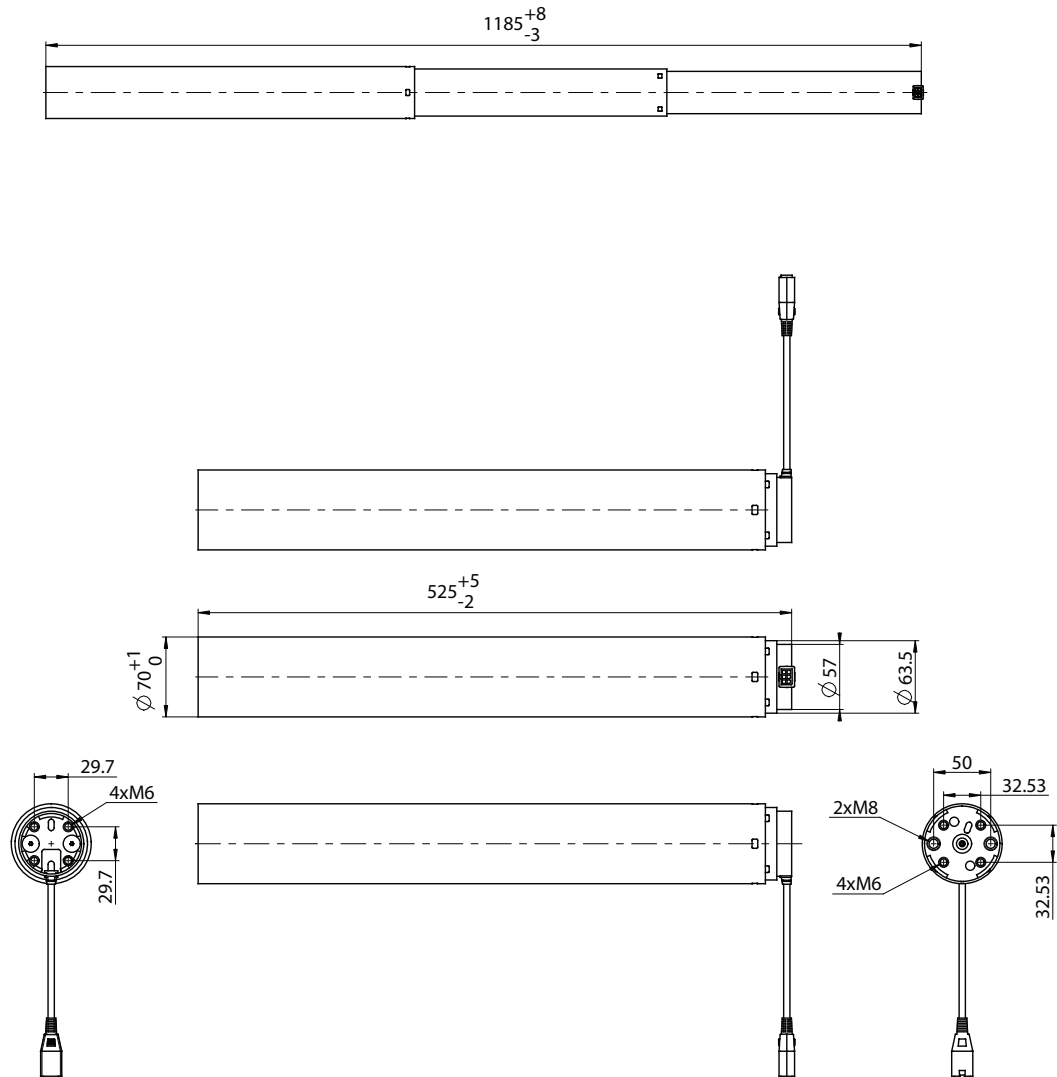
- Single or 2, 3, 4 parallel drive
- Duty cycle: 10 % ~ 6 min. per hour or 2 min. at continuous use at full load
- Ambient temperature: $+10^\circ$ to $+40^\circ \text{C}$
- Compatible with DESKLINE® control boxes and DESKLINE® controls
- Approved according to EN 60335-1
- Approved according to UL 962
- Storage and transport temperature: -10° to $+70^\circ \text{C}$
- Compatible with DESKLIFT™ Feet

Technical specifications:

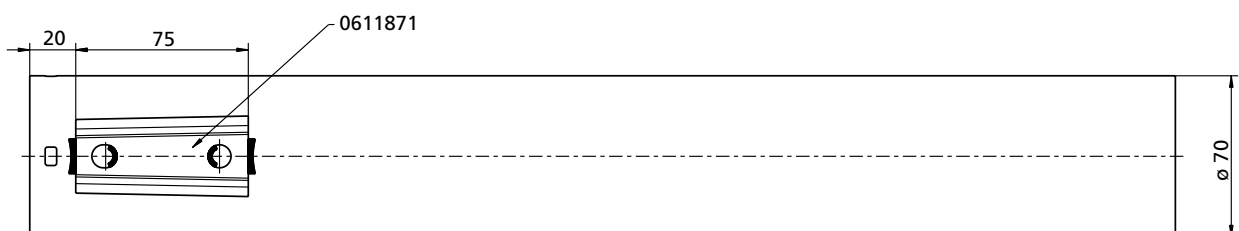
Type	Max. thrust pr. DL (N)	Max. twisting moment* (Nm)	Max. bending moment (Nm)	Self-lock pr. DL (N)	Speed at 0 N load (mm/s)	Duty cycle (%)
DL14	700	200	150	700	38	10

* The twisting/rotation moment indicates the maximum moment that the column can adapt in the rotation direction.

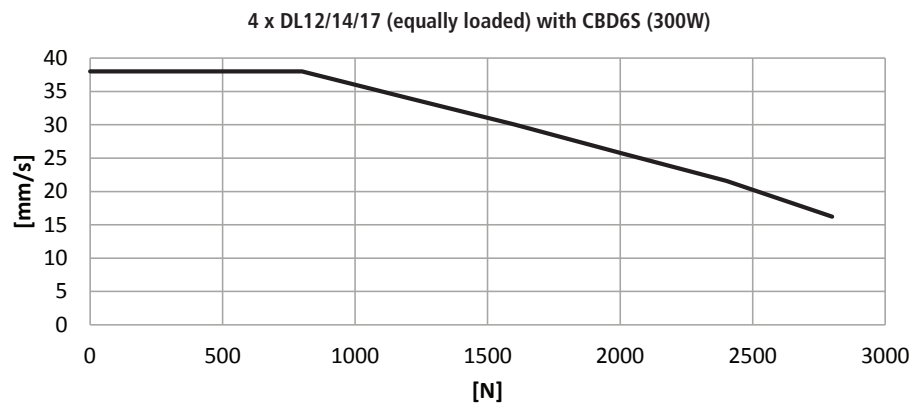
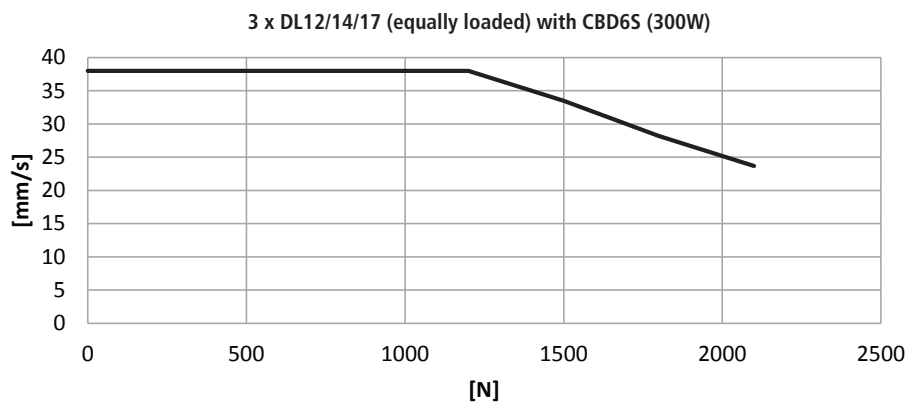
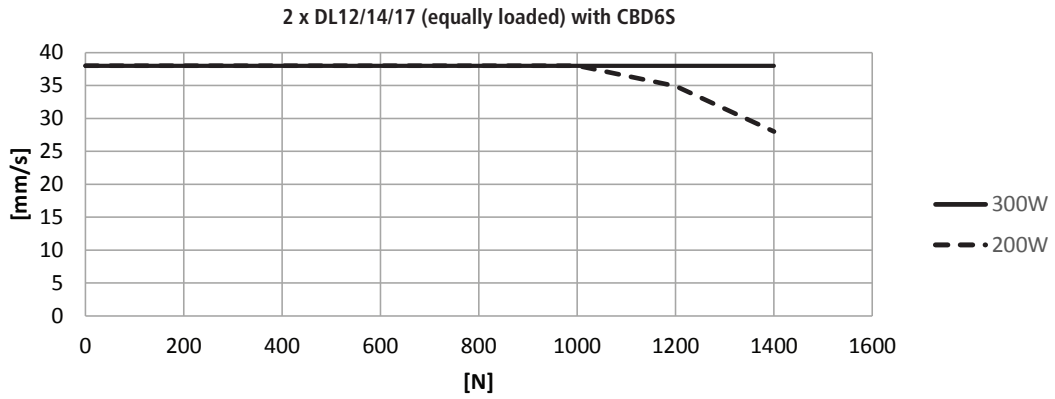
Dimensions



Placement of the bracket for crossbar (optional):



Curves DL14 700N (20 mm spindle)



The above curve applies to a centrally placed load. With moment load there will be an increased friction in the columns, which will reduce the lifting force correspondingly.



Be aware that the DESKLINE® system DL14 may only be used in push applications.

DL14

Ordering example:

DL14	0	0	0	B	0	E	660	525	
									Installation dim. :
									525 = 525 mm
									Stroke length:
									660 = 660 mm
									Motor type:
									E = PIEZO + IID
									Option:
									0 = Standard
									Colour:
									A = Grey (RAL 9006)
									B = Black (RAL 9005)
									D = White (RAL 9016)
									Option:
									0 = Standard
									1 = DL4 - Bracket 0611871
									Cable:
									0 = 200 mm
									Spindle type:
									0 = 2 x 10 mm pitch
									Type:
									DL14



Motor cables must be ordered separately.



All cables for creating a fully connected DESKLINE® system must be ordered separately. We offer a range of different versions and lengths. For more information as ordering number, colour and length of the cables, please contact your local LINAK.

Terms of use

The user is responsible for determining the suitability of LINAK products for specific application. LINAK takes great care in providing accurate and up-to-date information on its products.

However, due to continuous development in order to improve its products, LINAK products are subject to frequent modifications and changes without prior notice. Therefore, LINAK cannot guarantee the correct and actual status of said information on its products.

While LINAK uses its best efforts to fulfill orders, LINAK cannot, for the same reasons as mentioned above, guarantee the availability of any particular product. Therefore, LINAK reserves the right to discontinue the sale of any product displayed on its website or listed in its catalogues or other written material drawn up by LINAK.

All sales are subject to the Standard Terms of Sale and Delivery for LINAK. For a copy hereof, please contact LINAK.

Terms of use

The user is responsible for determining the suitability of LINAK products for specific application. LINAK takes great care in providing accurate and up-to-date information on its products.

However, due to continuous development in order to improve its products, LINAK products are subject to frequent modifications and changes without prior notice. Therefore, LINAK cannot guarantee the correct and actual status of said information on its products.

While LINAK uses its best efforts to fulfill orders, LINAK cannot, for the same reasons as mentioned above, guarantee the availability of any particular product. Therefore, LINAK reserves the right to discontinue the sale of any product displayed on its website or listed in its catalogues or other written material drawn up by LINAK.

All sales are subject to the Standard Terms of Sale and Delivery for LINAK. For a copy hereof, please contact LINAK.