



DL7 / DL7R
Data sheet

DL7 / DL7R

The DL7 is a basic DESKLINE® column for simple desks mainly used in offices or private homes. The DL7 combines well-proven technology and basic features into a price/performance optimised low-cost 2-part column. The DL7 is available in a rectangular and a round version. The column was mainly developed for 2-parallel desks where the basic features of an electrical height adjustable desk are required.

The upside down construction gives a very compact and clean design and the fact that no crossbar is needed for a desk ensures a high degree of safety and leg room for the user. The DL7 is also very easy and intuitive to mount. The DL7 column is compatible with DESKLINE control boxes and all standard controls giving a wide range of options.



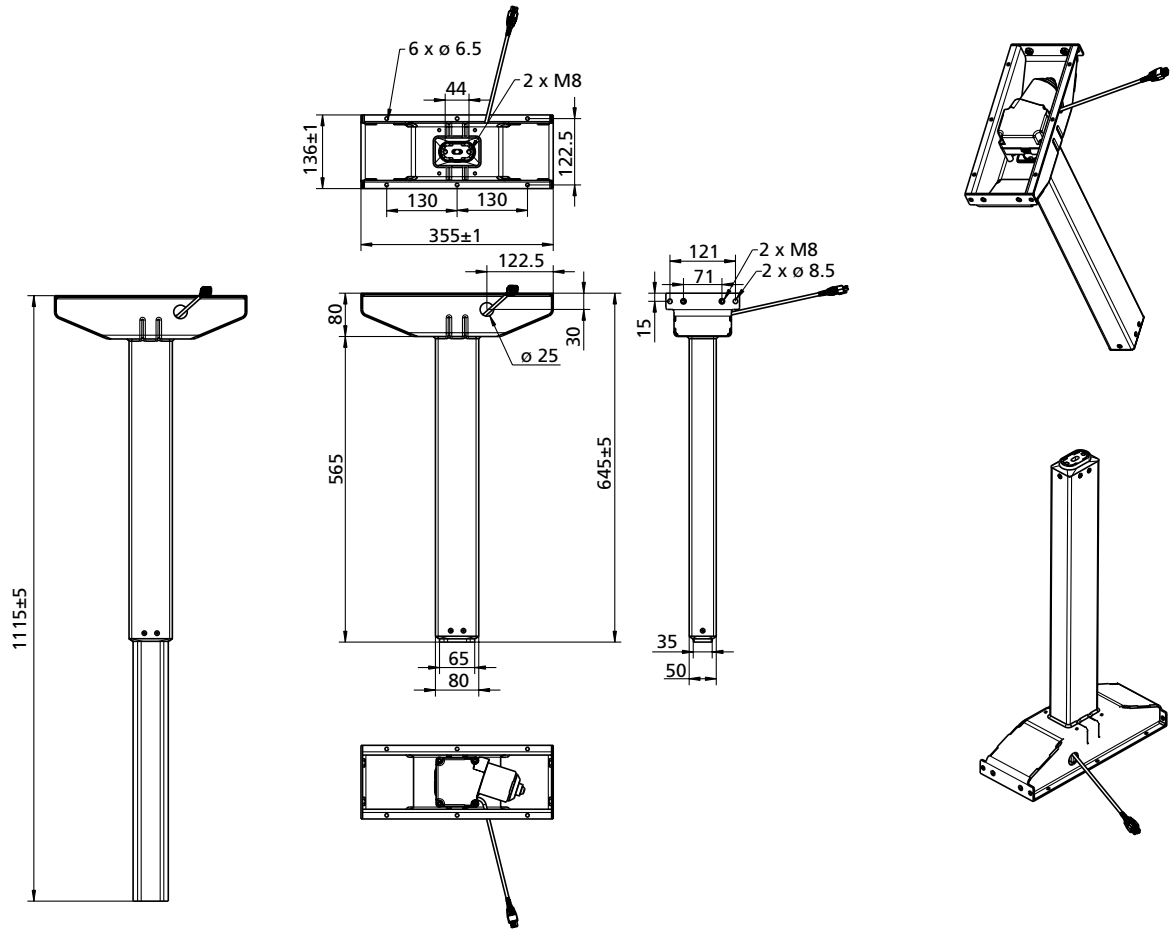
Features:

- Thrust up to 800 N (per leg)
- Speed level: 34 mm/sec.
- Standard installation dimension: 645 mm
- Standard stroke length: 470 mm
- Colour: DL7 rectangular: All parts black (RAL9005) or grey (RAL9006) outer tube, zinc plated inner tube, and grey motor housing or white (RAL 9016) outer tube, zinc plated inner tube, and white motor housing, colours are all with gloss 30
- Colour: DL7 round: All parts black (RAL9005), all parts grey (RAL 9006) or all parts white (RAL 9016), colours are all with gloss 30
- Low noise level
- Fixed motor cables 1118 ± 50 mm
- Self-locking ability: 600 N
- Dimension column: 50 x 80 mm - round column Ø64 mm
- Dimension motor housing: 356 x 136 x 78 mm

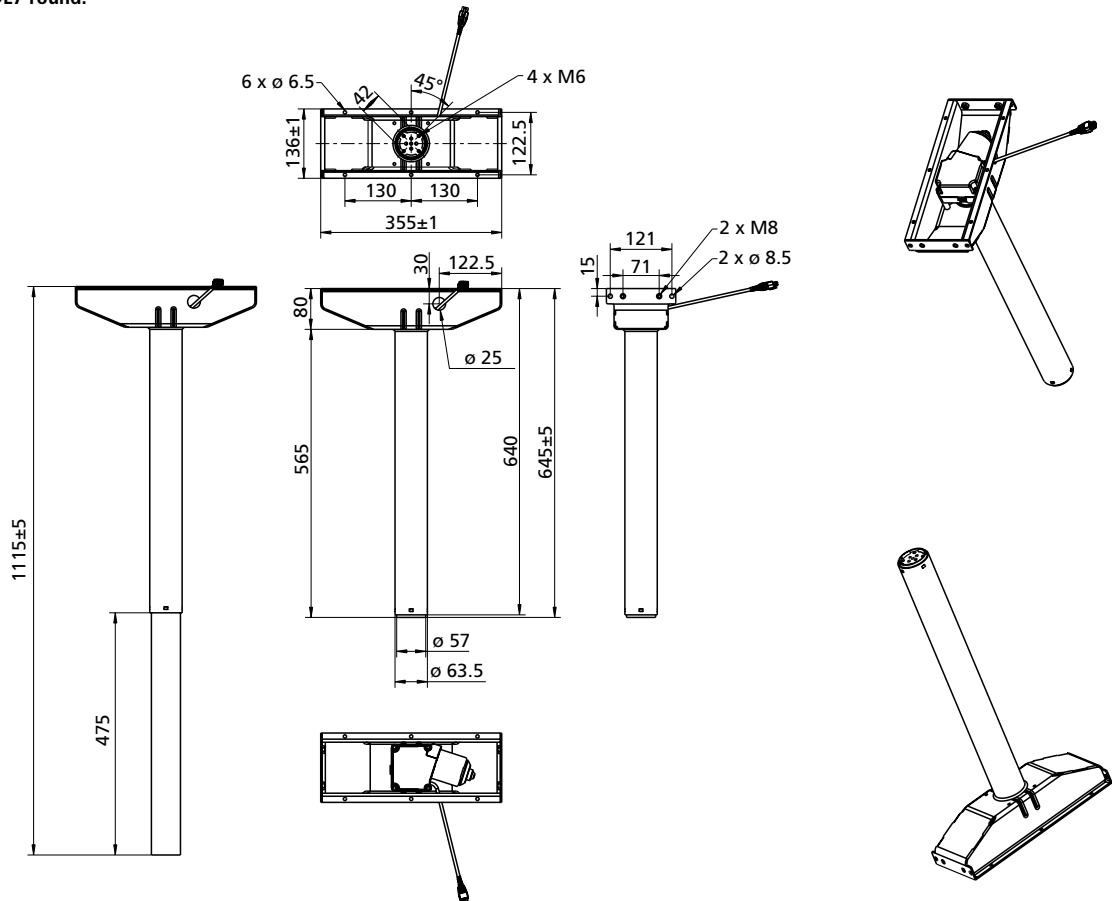
Usage:

- Single or 2 parallel drive
- Duty cycle: 10 % ~ 6 minutes per hour + 18 minutes rest
- Ambient temperature: +5° to +40 °C
- Compatible with DESKLINE® control boxes and all DESKLINE® controls
- Approved according to EN 60335-1 and UL 73
- Storage and transport temperature: -20 °C to +70 °C

Dimensions DL7 rectangular:



Dimensions DL7 round:



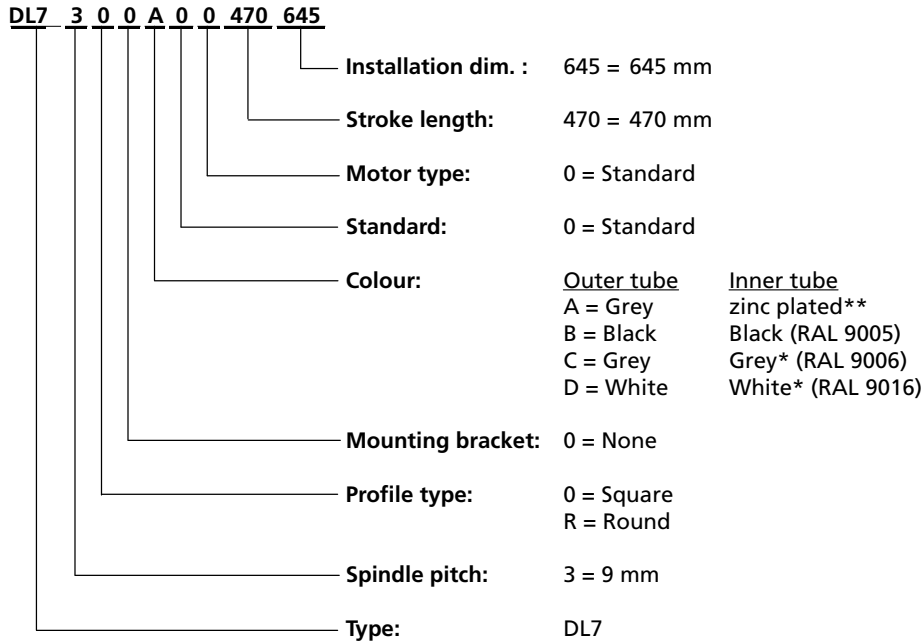
Technical specifications:

| Type | Thrust max. (N) | Self-locking (N) | Speed unloaded (mm/s) | Duty cycle (%) |
|------|--------------------|---------------------|--------------------------|-------------------|
| DL7 | 800 | 600 | 34 | 10 |

Above measurements are made in connection with the CBD4 control box.

DL7

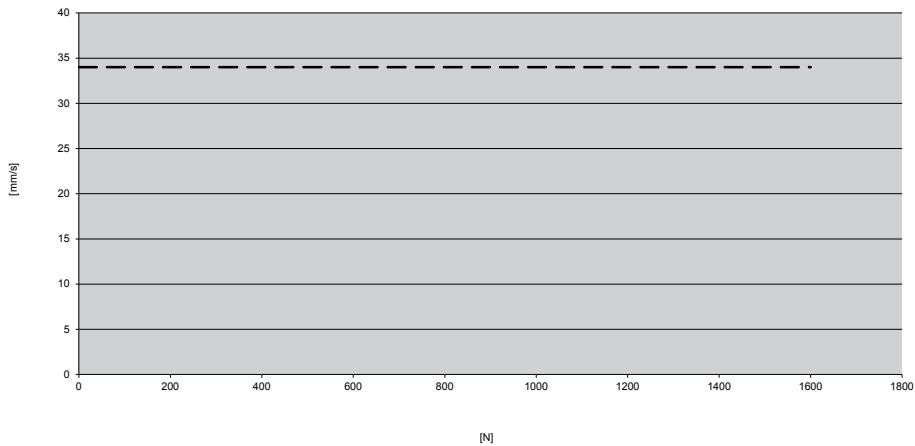
Ordering example:



* Only with DL7 Round
 ** Only with DL7 Square

Value curves for 2 x DL7 rectangular in parallel drive:

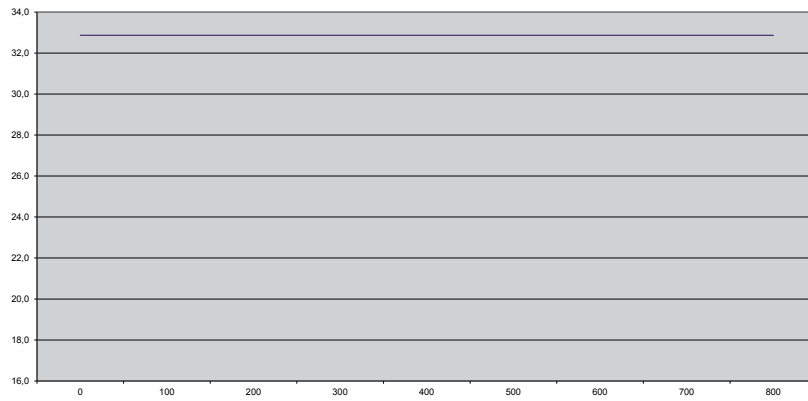
2 x DL7 with CBD4



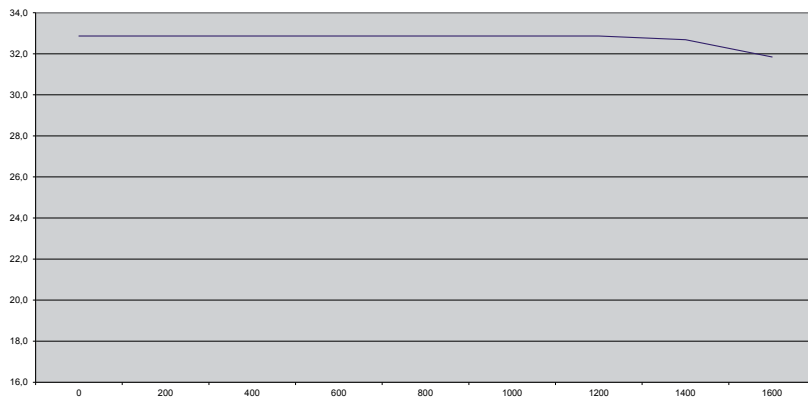
Above data are measured in connection with 2 DL7 lifting units and a CBD4 control box.

Value curves for DL7 round:

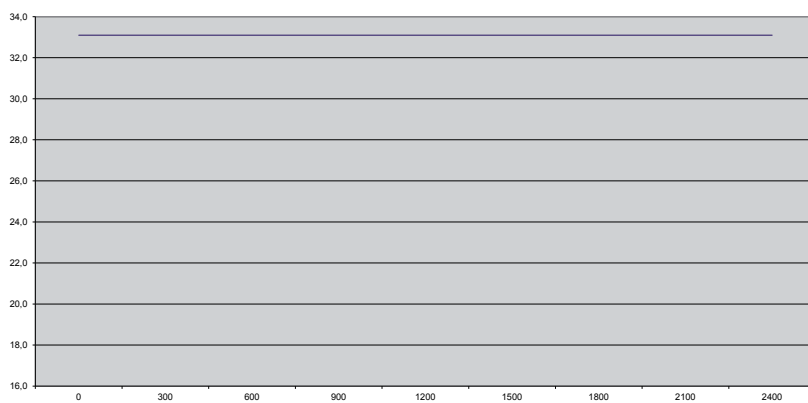
CBD4 (200 W/300 W) / DL7R single



CBD4 (200 W/300 W) DL7R 2 parallel



CBD4 (300W) / DL7R 3 parallel



Terms of use

The user is responsible for determining the suitability of LINAK products for specific application. LINAK takes great care in providing accurate and up-to-date information on its products.

However, due to continuous development in order to improve its products, LINAK products are subject to frequent modifications and changes without prior notice. Therefore, LINAK cannot guarantee the correct and actual status of said information on its products.

While LINAK uses its best efforts to fulfill orders, LINAK cannot, for the same reasons as mentioned above, guarantee the availability of any particular product. Therefore, LINAK reserves the right to discontinue the sale of any product displayed on its website or listed in its catalogues or other written material drawn up by LINAK.

All sales are subject to the Standard Terms of Sale and Delivery for LINAK. For a copy hereof, please contact LINAK.