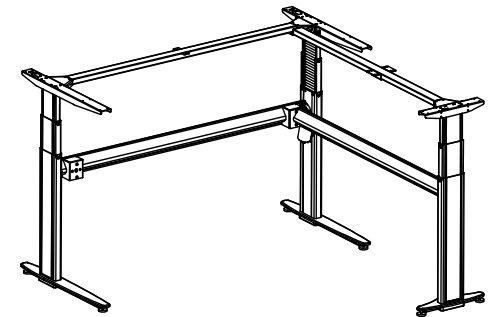
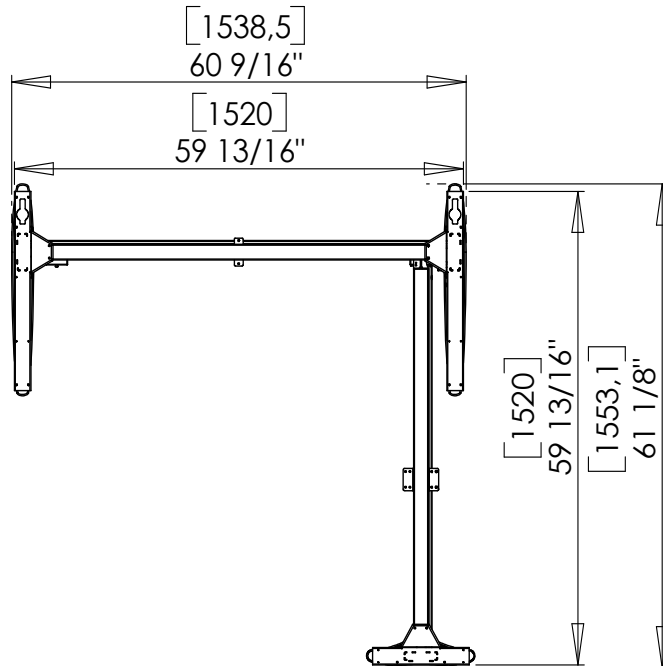
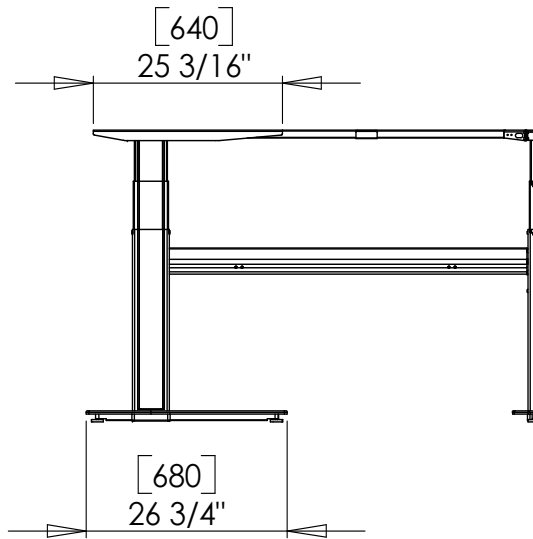
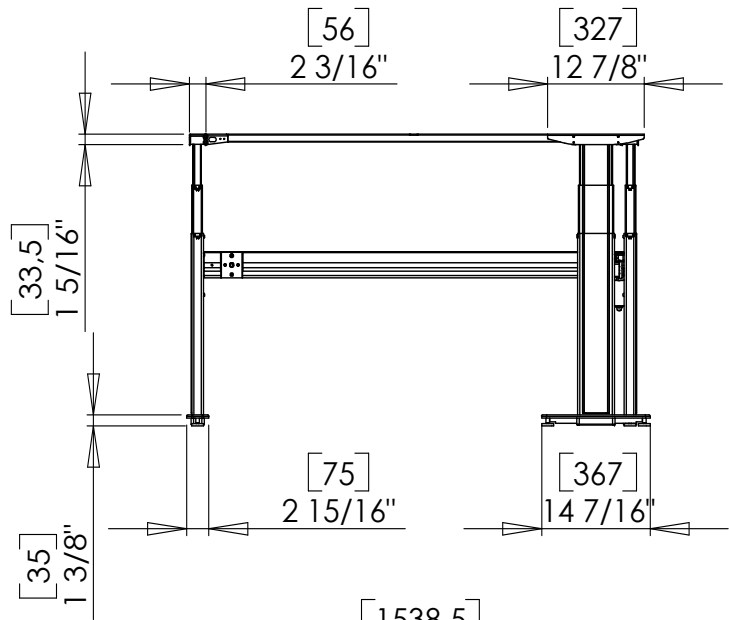


DO NOT SCALE DRAWING	SHEET 1 OF 13			ConSet A/S Staalvej 14-16 DK-6900 Skjern Denmark www.conset.com
UNLESS OTHERWISE SPECIFIED: DIMENSIONS ARE IN MILLIMETERS TOLERANCES: LINEAR: According to ANGULAR: DIN 7168-m	DRAWN	NAME jo	DATE 27-07-09	TITLE:
	CHECKED	Processes: assembly		501-29 assembly
PROPRIETARY AND CONFIDENTIAL THE INFORMATION CONTAINED IN THIS DRAWING IS THE SOLE PROPERTY OF CONSET A/S. ANY REPRODUCTION IN PART OR AS A WHOLE WITHOUT THE WRITTEN PERMISSION OF CONSET A/S IS PROHIBITED.	DWG NO.		116890	REVISION 1
	WEIGHT:			



DO NOT SCALE DRAWING SHEET 1 OF 1	WEIGHT:		ConSet A/S Staalvej 14-16 DK-6900 Skjern Denmark www.conset.com	
UNLESS OTHERWISE SPECIFIED: DIMENSIONS ARE IN MILLIMETERS TOLERANCES: LINEAR: According to ANGULAR: DIN 7168-m	DRAWN	NAME	DATE	TITLE: 501-29 152-152cm
	CHECKED	jo	08-04-2011	
	Processes: assembly			
PROPRIETARY AND CONFIDENTIAL THE INFORMATION CONTAINED IN THIS DRAWING IS THE SOLE PROPERTY OF CONSET A/S. ANY REPRODUCTION IN PART OR AS A WHOLE WITHOUT THE WRITTEN PERMISSION OF CONSET A/S IS PROHIBITED	Remarks:			DWG NO. 126980 REVISION 0